



StoryWalk® Solutions

Double-sided Upright Aluminum Frame with Outbound Wood Posts Style

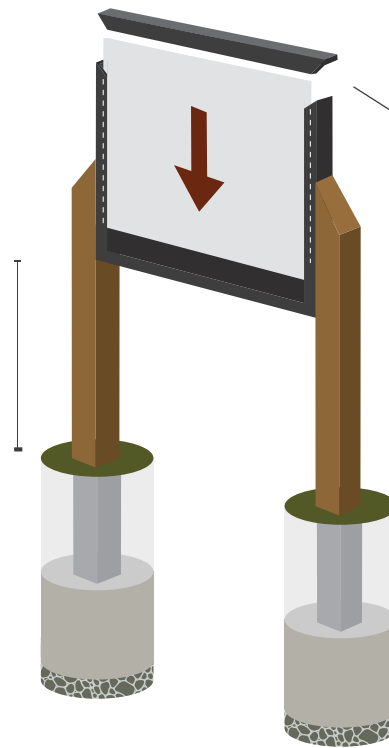
Frame screws to your treated 4"x4" wood post (Approx. 3.5" x3.5") or recycled plastic lumber posts.

For use with a 18"h x24"w page, providing a viewable area of 17"h x23"w.

Double-sided upright display, displaying 4 pages of most books.

Sign panel mounts 28-32" from grade

Prepare footing depth per your regions requirements.
Ensure post is plumb and level while back filling with appropriate material.
Option if not using concrete – drill a 9/16" hole at 2" from the base of the post. Install 8" of rebar into the hole.



Removable top rail for page insertion.

The 2 sheets of acrylic - with the laminated page between them - slide into the exposed channel in the frame

The powder coated aluminum frame has a 1 year warranty.

Made in the USA!

Assembly Instructions

1. To make TWO 60" long posts, mark the center point of a 10' long treated 4x4. Cut in half with a circular saw.
2. Drill a 9/16" thru hole for 8" of rebar, if desired.
3. Remove the top frame rail and removable frame side, Install the frame to the post, using the (2) SPAX screws and the provided SPAX driver.

Page Installation – first time

1. Remove the blue masking from both sides of the acrylic.
2. Place your page and optional colored backer between the sheets of acrylic. Be sure your pages are numbered.
3. Remove the bottom frame rail using the provided driver.
4. Slide all the sheets up into the exposed channel in the frame.
5. Replace the bottom rail.

Cleaning Instructions

Use a soft cloth and dilute soap and water to wash and dry the displays.

DO NOT USE ammonia cleaners (Windex) or paper towels.

